



2190 Dagenais West
LAVAL (QUEBEC)
CANADA
H7L 5X9

TEL: 514.337.4415
FAX: 514.337.4029
info@burcam.com

MODEL 300514W LAUNDRY TUB PUMP

Your pump has been carefully packaged at the factory to prevent damage during shipping. However, occasional damage may occur due to rough handling. **Carefully inspect your pump** for damages that could cause failures. Report any damage to your **carrier or your point of purchase.**

Please read these instructions carefully. **Failure** to comply to instructions and **designed** operation of this system, may **void** the warranty.



SAFETY INSTRUCTIONS:

This fine pump that you have just purchased is designed from the latest in material and workmanship.

Before installation and operation, we recommend the following procedures:

- A** CHECK WITH YOUR LOCAL ELECTRICAL AND PLUMBING CODES TO ENSURE YOU COMPLY WITH THE REGULATIONS. THESE CODES HAVE BEEN DESIGNED WITH YOUR SAFETY IN MIND. BE SURE YOU COMPLY WITH THEM.
- B** WE RECOMMEND THAT A SEPARATE CIRCUIT BE LEAD FROM THE HOME ELECTRICAL DISTRIBUTION PANEL PROPERLY PROTECTED WITH A FUSE OR A CIRCUIT BREAKER. WE ALSO RECOMMEND THAT A GROUND FAULT CIRCUIT BE USED. CONSULT A LICENSED ELECTRICIAN FOR ALL WIRING.
- C** THE GROUND TERMINAL ON THE THREE PRONG PLUGS SHOULD NEVER BE REMOVED. THEY ARE SUPPLIED AND DESIGNED FOR YOUR PROTECTION.
- D** NEVER MAKE ADJUSTMENTS TO ANY ELECTRICAL APPLIANCE OR PRODUCT WITH THE POWER CONNECTED. DO NOT ONLY UNSCREW THE FUSE OR TRIP THE BREAKER, REMOVE THE POWER PLUG FROM THE RECEPTACLE.

Material required for laundry tub application (indoor use only)

- Desired length of ABS/DWV 1 1/4" or 1 1/2" pipe, to link up from pump discharge to waste or drain existing pipe.
- Required quantities of 1 1/4" or 1 1/2" ABS/DWV elbow(s) and/or other fitting(s) to run the discharge line.
- 1 adaptor 1 1/4" to 1 1/2", if you use 1 1/2" pipe.
- 1 ABS/DWV Y fitting to connect the discharge line to the waste or drain existing pipe.
- Teflon tape and ABS cement.

Tools

Screwdrivers, hacksaw to cut pipe, knife to assist in pipe cutting, round file to smooth pipe ends, pipe wrench, allen wrench.

A ball check valve is supplied to prevent the backflow of water when the pump shuts off, and also to prevent rapid cycling of the pump and switch.

NOTICE

This unit is not designed for applications involving salt water or brine .
Use with salt water or brine will void warranty.

APPLICATIONS

This pump, equipped with an automatic switch, is designed for a permanent installation to handle normal waste water from domestic washing machines, bar sinks located in basement play room, and generally all waste water not containing solids or materials which will clog the impeller or switch operation, where the waste or drain line is above the level for gravity flow to sewer or septic bed connections.

CAPACITY:

2' 1400 US GPH
4' 1200 US GPH
6' 1000 US GPH

FRICION LOSS IN PIPE NOT INCLUDED

8' 800 US GPH
10' 500 US GPH

FEATURES

- High performance noryl impeller.
- Automatic switch who start motor when 1 PSI is applied to pump inlet.
- Full time connected run capacitor, to eliminate starting wear vs regular motor.
- Thermal and overload protection.
- Flat union, nipple, elbow, check valve included
- 1/3HP, 115VAC, 60Hz, 4.0A.

INSTALLATION STEPS

see typical installation diagram in page 4

STEP 1 We recommend that you install your pump in a clean and dry location where there is adequate room for servicing at a later date. Protection from freezing temperatures and good ventilation should be considered as well, to provide the pump an environment for long life. Locate the pump directly under the strainer of laundry tub or sink as per installation diagram (see page 4).

Friction losses in the discharge pipe must be taken into consideration when many elbows and fittings are installed in the discharge line. Each elbows and fittings must be considered as 1 feet of head.

Never run the pump dry. Damage to the seal may occur.

THE RUN OF THE PIPE FROM THE CHECK VALVE TO THE EXISTING WASTE OR DRAIN LINE MUST NEVER BE SLOPING DOWNWARD EXCEPT WHEN CONNECTING TO SAME.

STEP 2 Using teflon tape, install the female portion of the union under the laundry tub to the threaded male adaptor of the strainer and screw the male part of the union, into the female pump intake. Then screw the union to hold the pump securely in place.

STEP 3 Using teflon tape, screw the check valve to the pump discharge and aligned towards the planned discharge line.

STEP 4 Also using teflon tape, screw the supplied ball valve to the other end of the check valve.

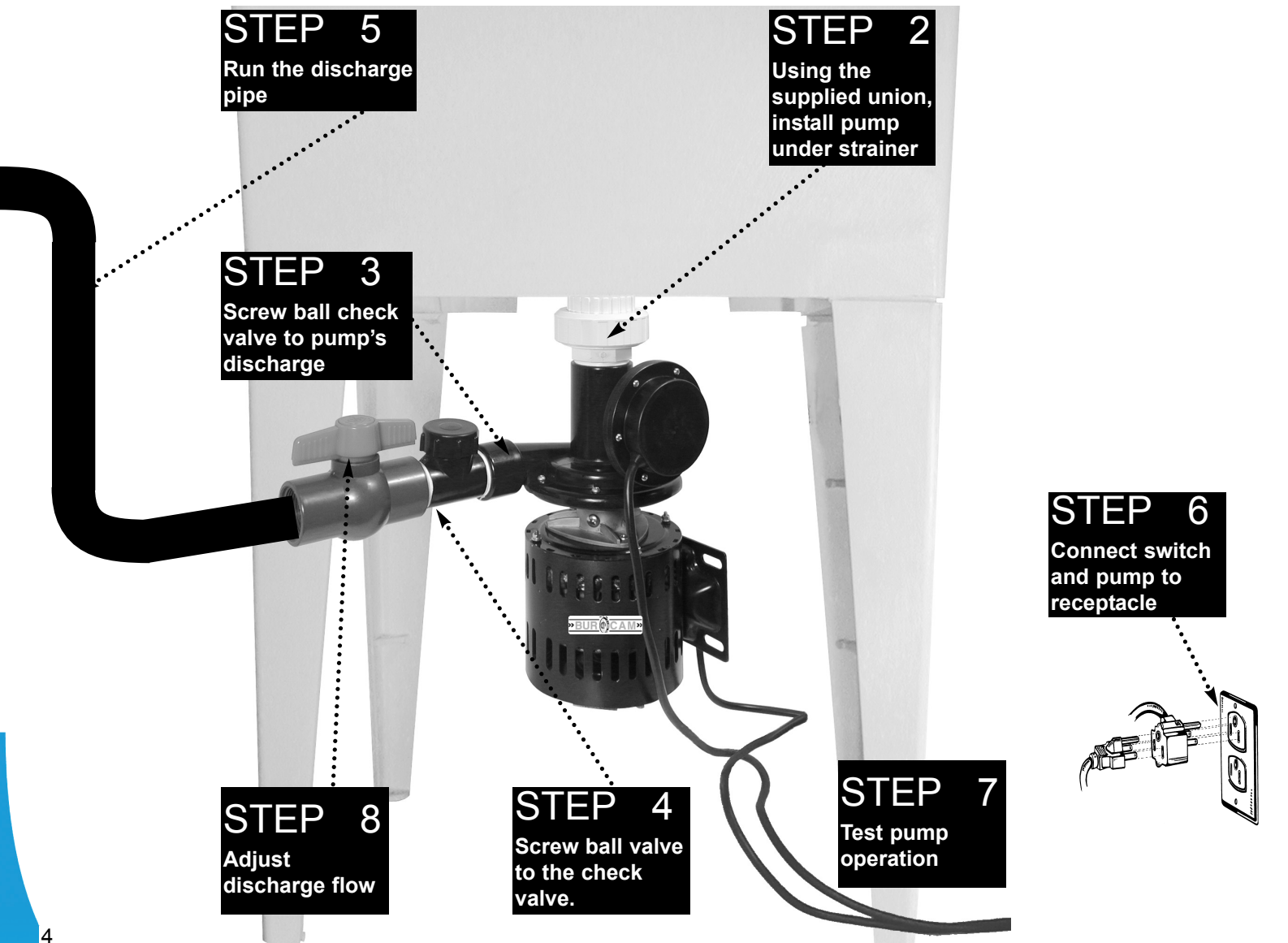
STEP 5 From the ball valve, run your length of discharge pipe, using elbows and fittings, in your shortest possible run to the existing waste or drain line.

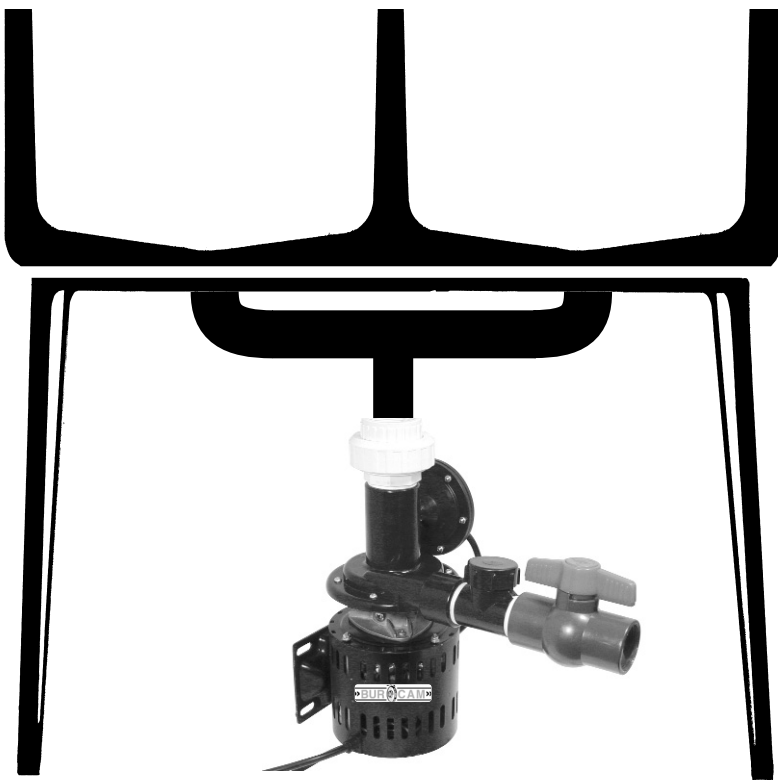
STEP 6 Connect the 3 prong plug of the switch in a receptacle. Insert the motor 3 prong plug into female receptacle on exposed piggy-back of switch plug.

STEP 7 Test pump operation by filling laundry tub with water. Check all plumbing connections for leaks and correct where necessary. The switch will activate the pump's motor at about 1"-3" depth of water in tub, and shut off when water will be drained out by the pump action.

STEP 8 The laundry pump capacity is greater than the gravity inlet flow, causing the pump to cycle "on-off". Upon this occurs, reduce the discharge flow with the ball valve to adjust with the gravity flow at pump inlet, to maintain a constant flow.

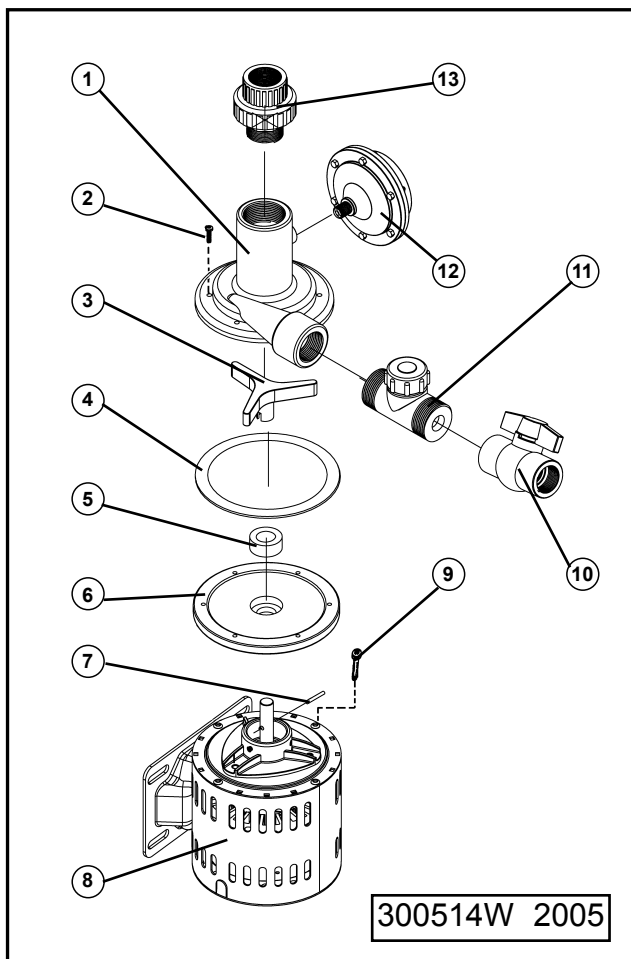
LAUNDRY TUB APPLICATION





For installation on a twin laundry tub, the pump has to be centered as per this diagram.

After the installation of the connecting pipe, follow the installation steps from the previous pages.



REPAIR PARTS

REF. PART DESCRIPTION

REF.	PART	DESCRIPTION
1	310530	Volute
2	310351	Volute screws (6)
3	310529	Impeller
4	310528	Pump gasket
5	400459	Lip seal
6	310527	Volute cover
7	310526	Pin
8	310525	Electric motor complete
9	310534	Screws (3)
10	52279	Ball valve
11	310533	Ball check valve
12	310532	Diaphragm switch
13	52261	Union

Repair parts may be ordered from your authorized point of sale or from
BUR-CAM PUMPS

TROUBLE SHOOTING GUIDE CHECKLIST

NEVER MAKE ADJUSTMENTS TO ANY ELECTRICAL APPLIANCE OR PRODUCT WITH THE POWER CONNECTED. DON'T JUST UNSCREW THE FUSE OR TRIP THE BREAKER, REMOVE THE POWER FROM THE RECEPTACLE.

TROUBLE	PROBABLE CAUSE	ACTION
Motor does not run.	Switch is off position Blown fuse Tripped breaker Switch port clogged Defective switch Defective motor	Turn switch to on position Replace Reset Remove and clean switch, port, adaptor Replace Replace
Motor runs but no water is delivered.	Improper voltage 'P' trap between strainer and pump	Check voltage Remove
Pump does not deliver to full capacity.	Improper voltage 'P' trap between strainer and pump	Check voltage Remove
Pump does not shut off.	Defective switch Air in suction line Missing check valve Clogged check valve in open position	Replace Check for proper pipe slope to pump inlet Install valve Clean debris
Pump starts and stop too often.	Defective switch Pump discharge too fast on low head Water pumped faster than tub is filled	Replace Install ball valve in discharge line to reduce flow rate It is normal

TO THE END CONSUMER

If you have any problems with the product, before advising the store, where you've purchased the pump, please contact us at 514 337-4415 , and ask for our sales department, and they will be pleased to help you with any questions you might have, concerning your installation.