



2190 Boul. Dagenais West  
LAVAL (QUEBEC)  
CANADA  
H7L 5X9

TEL: 514.337.4415  
FAX: 514.337.4029  
info@burcam.com

# INSTALLATION INSTRUCTIONS

## MODEL 300506 UTILITY PUMP

Please read these instructions carefully. **Failure** to comply to instructions and **designed** operation of this system, may **void** the warranty.

Your pump has been carefully packaged at the factory to prevent damage during shipping. However, occasional damage may occur due to rough handling. **Carefully inspect your pump** for damages that could cause failures. Report any damage to your carrier or your point of purchase.



# SAFETY INSTRUCTIONS:

This fine pump that you have just purchased is designed from the latest in material and workmanship.

Before installation and operation, we recommend the following procedures:

- A** CHECK WITH YOUR LOCAL ELECTRICAL AND PLUMBING CODES TO ENSURE YOU COMPLY WITH THE REGULATIONS. THESE CODES HAVE BEEN DESIGNED WITH YOUR SAFETY IN MIND. BE SURE YOU COMPLY WITH THEM.
- B** WE RECOMMEND THAT A SEPARATE CIRCUIT BE LEAD FROM THE HOME ELECTRICAL DISTRIBUTION PANEL PROPERLY PROTECTED WITH A FUSE OR A CIRCUIT BREAKER. WE ALSO RECOMMEND THAT A GROUND FAULT CIRCUIT BE USED. CONSULT A LICENSED ELECTRICIAN FOR ALL WIRING.
- C** THE GROUND TERMINAL ON THE THREE PRONG PLUGS SHOULD NEVER BE REMOVED. THEY ARE SUPPLIED AND DESIGNED FOR YOUR PROTECTION.
- D** NEVER MAKE ADJUSTMENTS TO ANY ELECTRICAL APPLIANCE OR PRODUCT WITH THE POWER CONNECTED. DO NOT ONLY UNSCREW THE FUSE OR TRIP THE BREAKER, REMOVE THE POWER PLUG FROM THE RECEPTACLE.

## APPLICATION

- This submersible utility pump is designed for a portable application, for dewatering around homes.
- This pump is great for water transfer from basin, pool cover, flodded floor, flat roof.
- May also be used for average flow fountain.

### CAPACITY:

5' 740 US GPH  
10' 500 US GPH  
15' 100 US GPH

FRICTION LOSS  
IN  
PIPE NOT  
INCLUDED

## FEATURES

- Non corrosive material.
- Stainless steel mechanical rotary seal.
- Thermal and overload protection.
- 1/6HP, 115VAC, 60Hz, 0.8 A, (1.6 A when start).

### NOTICE

This unit is not designed for applications to pump salt water or brine .  
Use with salt water or brine will void warranty.

# TYPICAL APPLICATIONS FOR THIS PRODUCT

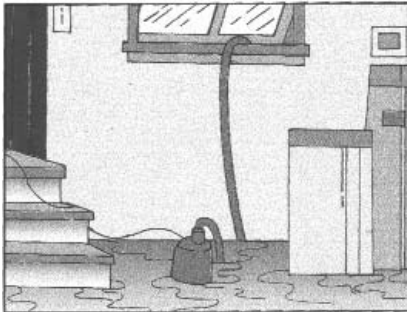
Screw the garden hose to the pump discharge, then install the pump at the appropriate place to remove water. Connect the plug to the electrical outlet to start the pump. **Never run the pump dry.**

Remove the plug from the electrical outlet to stop the pump.

TO DRAIN FLOODED  
BASEMENT

TO DRAIN POOL  
AND POOL COVER

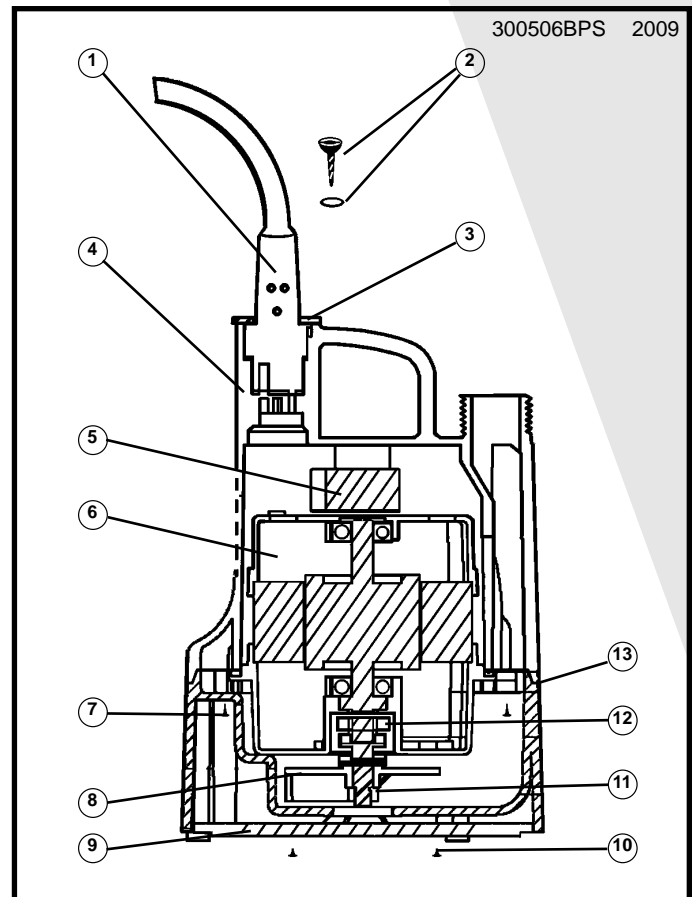
TO DRAIN SPA



## REPAIR PARTS

### MODEL 300506 BPS SUBMERSIBLE UTILITY PUMP

REF	#	DESCRIPTION
1	300442N	Power cord
2	300463	Screws & washers (2)
3	300456	Cord Glasp
4	310942	Motor housing
5	310950	Capacitor
6	310945	Assembled motor
7	310944	Pump casing screws (6)
8	310948	Impeller
9	300443	Strainer
10	300463	Strainer screws (3)
11	300453	Impeller nut
12	310952	Mechanical seal
13	310943	Pump casing



Repair parts may be ordered from your authorized point of sale or from  
**BUR-CAM PUMPS**

# TROUBLE SHOOTING GUIDE CHECKLIST

NEVER MAKE ADJUSTMENTS TO ANY ELECTRICAL APPLIANCE OR PRODUCT WITH THE POWER CONNECTED. DON'T JUST UNSCREW THE FUSE OR TRIP THE BREAKER, REMOVE THE POWER FROM THE RECEPTACLE.

TROUBLE	PROBABLE CAUSE	ACTION
Motor does not run.	<p>Blown fuse Tripped breaker Plug disconnected Corroded plug Low water level Thermal overloaded</p> <p>Defective motor</p>	<p>Replace Reset Re-install Clean prongs Add water and verify Unplug the pump for 15 minutes than restart. Replace/repair</p>
Pump does not deliver full capacity.	<p>Jammed impeller Blocked suction/inlet Discharge leak Blocked line/pipe Worn impeller Defective motor</p>	<p>Clean Check for debris in pit and clean Repair Check for debris or ice Repair/replace Replace/ repair</p>

## TO THE END CONSUMER

*If you have any problems with the product, before advising the store, where you've purchased the pump, please contact us at 514 337-4415 , and ask for our sales department, and they will be pleased to help you with any questions you might have, concerning your installation.*